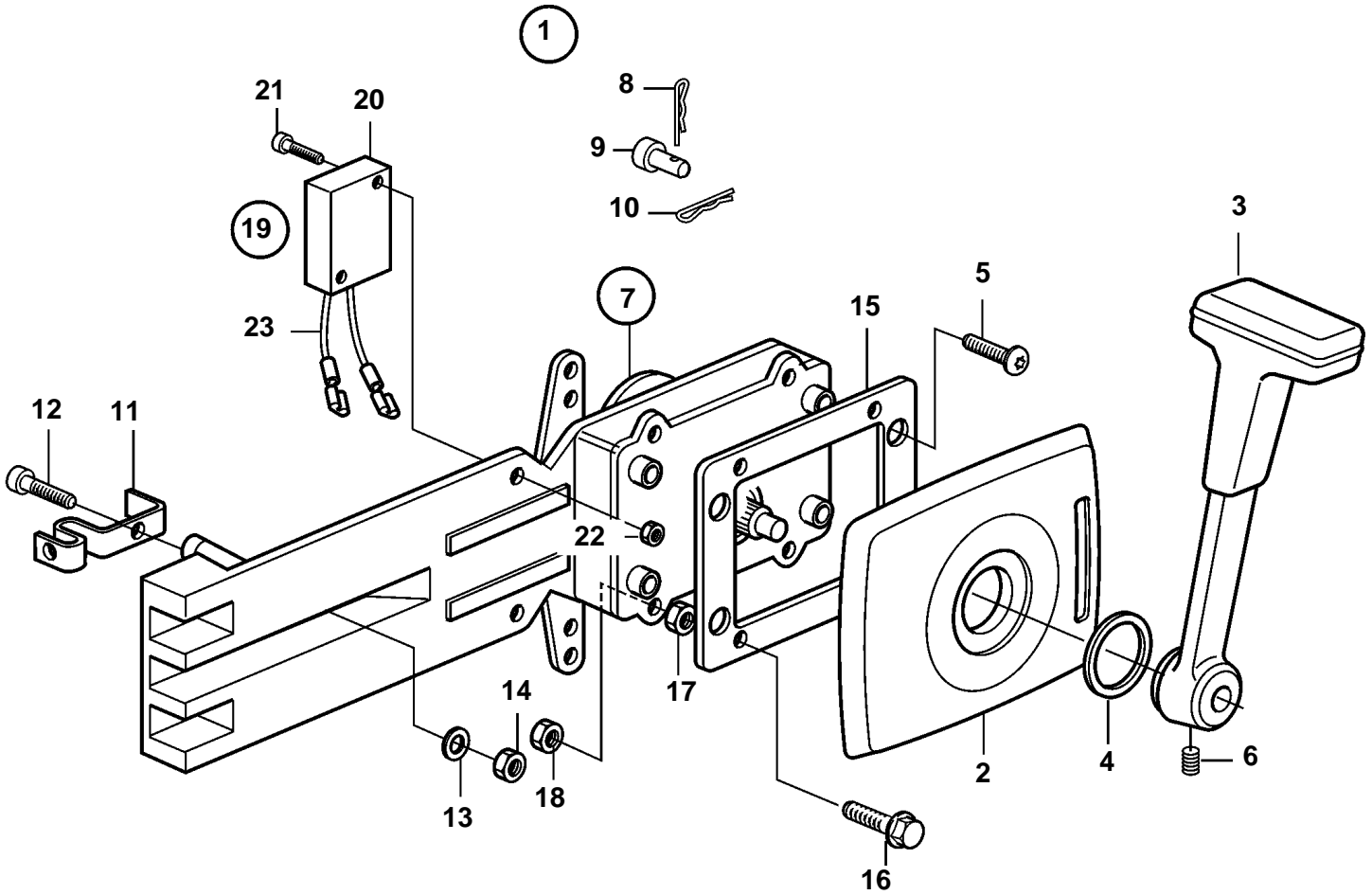


D1-13, D1-20, D1-30, D2-40



22853

D1-13, D1-20, D1-30, D2-40

| REF | PART NO. | QTY | DESCRIPTION | SEE SEC. |
|-----|----------|-----|------------------------|----------|
| 1 | 1140092 | 1 | Mounting kit | |
| 2 | 853713 | 1 | · Cover | |
| 3 | 839520 | 1 | · Lever | |
| | | | | 266 |
| 4 | 1140094 | 1 | · Washer | |
| 5 | 961330 | 4 | · Screw | |
| 6 | 839693 | 1 | · Lock screw | |
| 7 | 1140095 | 1 | Control mechanism | |
| 8 | 17253 | 2 | · Cotter pin | |
| 9 | 839638 | 2 | · Cube | |
| 10 | 852924 | 1 | · Clip | |
| 11 | 853423 | 1 | · Retainer | |
| 12 | 839664 | 1 | · Screw | |
| 13 | 940275 | 1 | · Washer | |
| 14 | 946435 | 1 | · Lock nut | |
| 15 | | 1 | · Attaching plate | |
| 16 | 963548 | 4 | · Screw | |
| 17 | | 4 | · Nut | |
| 18 | 946435 | 4 | · Lock nut | |
| 19 | 855352 | 1 | Neutral posit contac | |
| 20 | 850200 | 1 | · Switch | |
| 21 | 946177 | 2 | · Screw | |
| 22 | 947536 | 2 | · Nut | |
| 23 | | X | · Cables and terminals | 1963 |